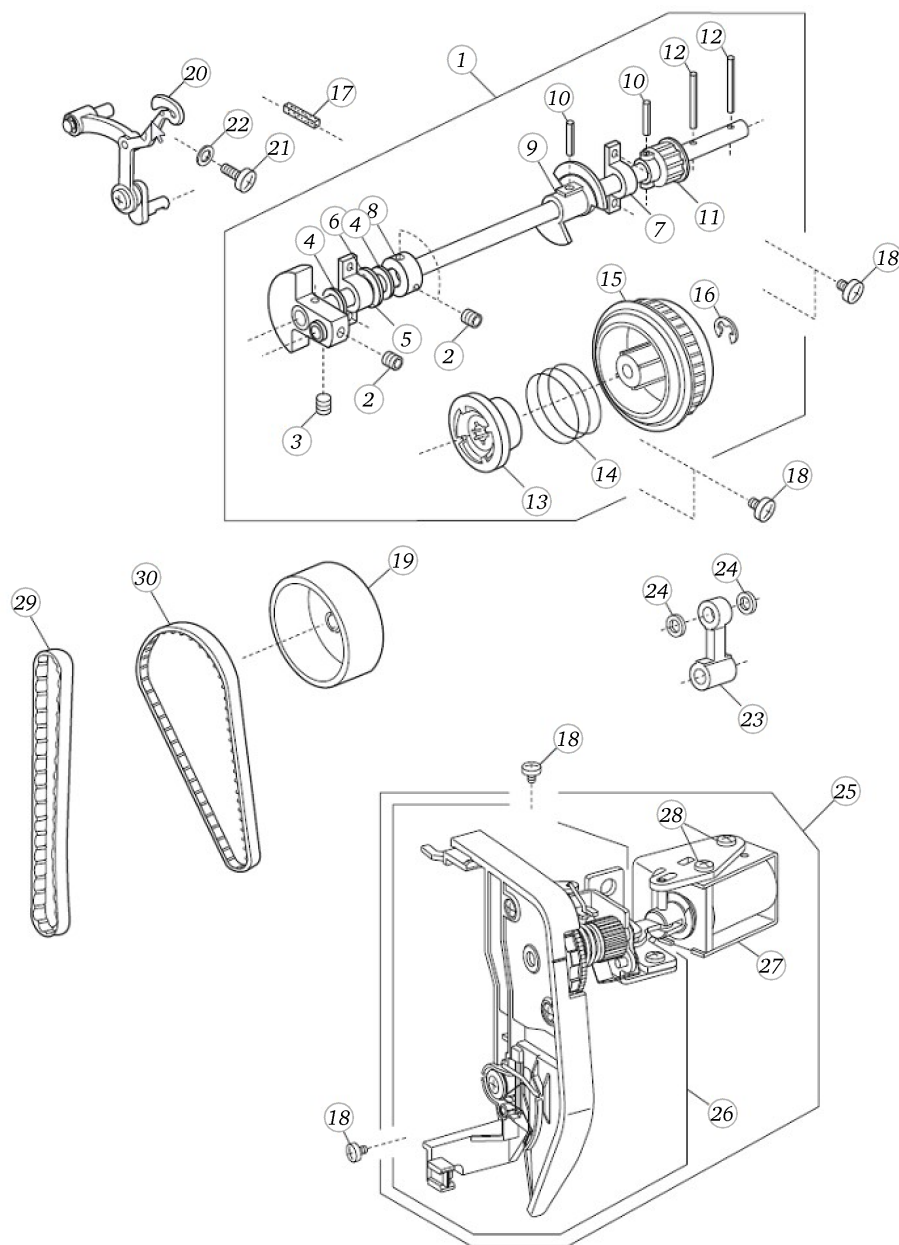




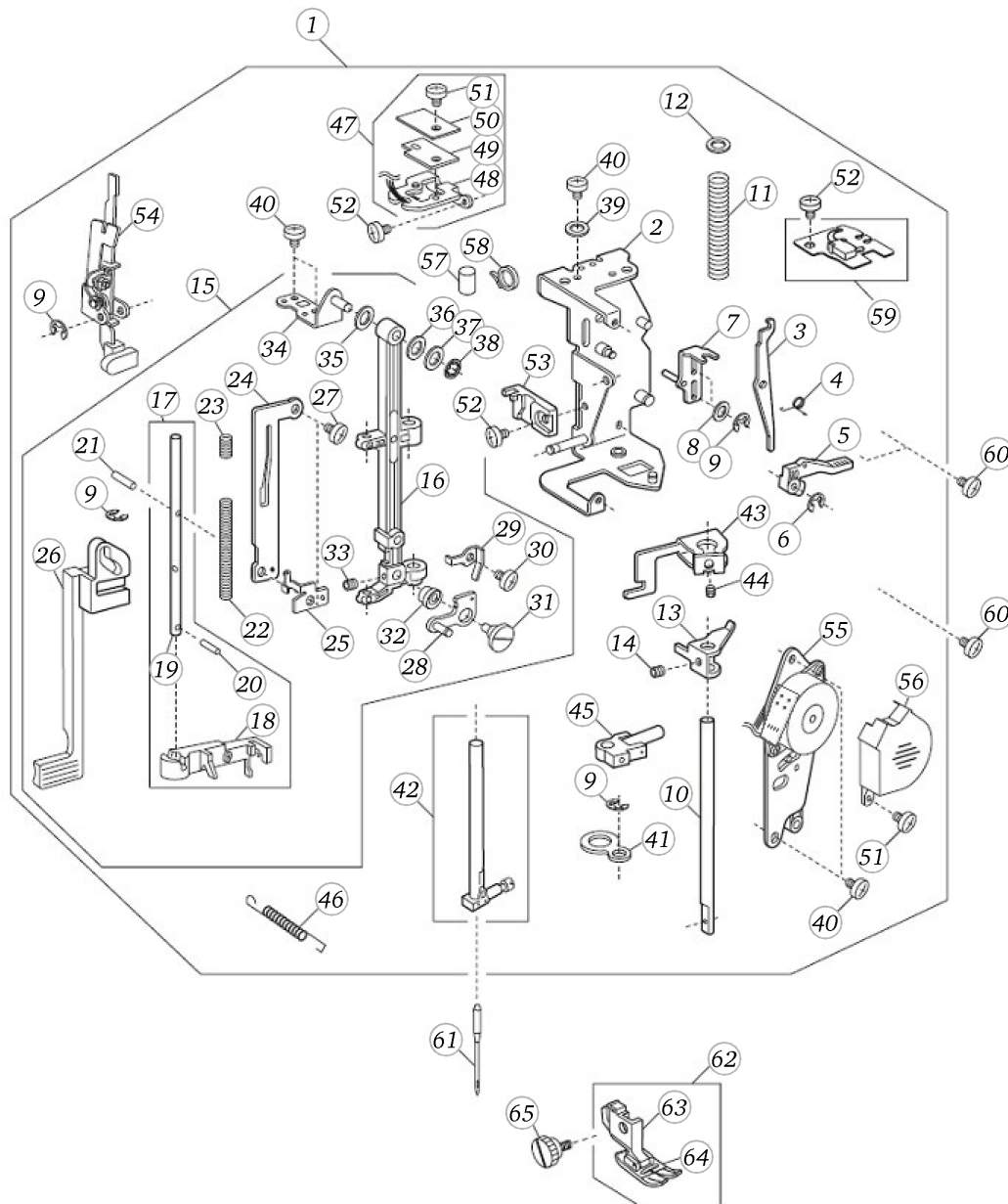
Spare Parts

b38



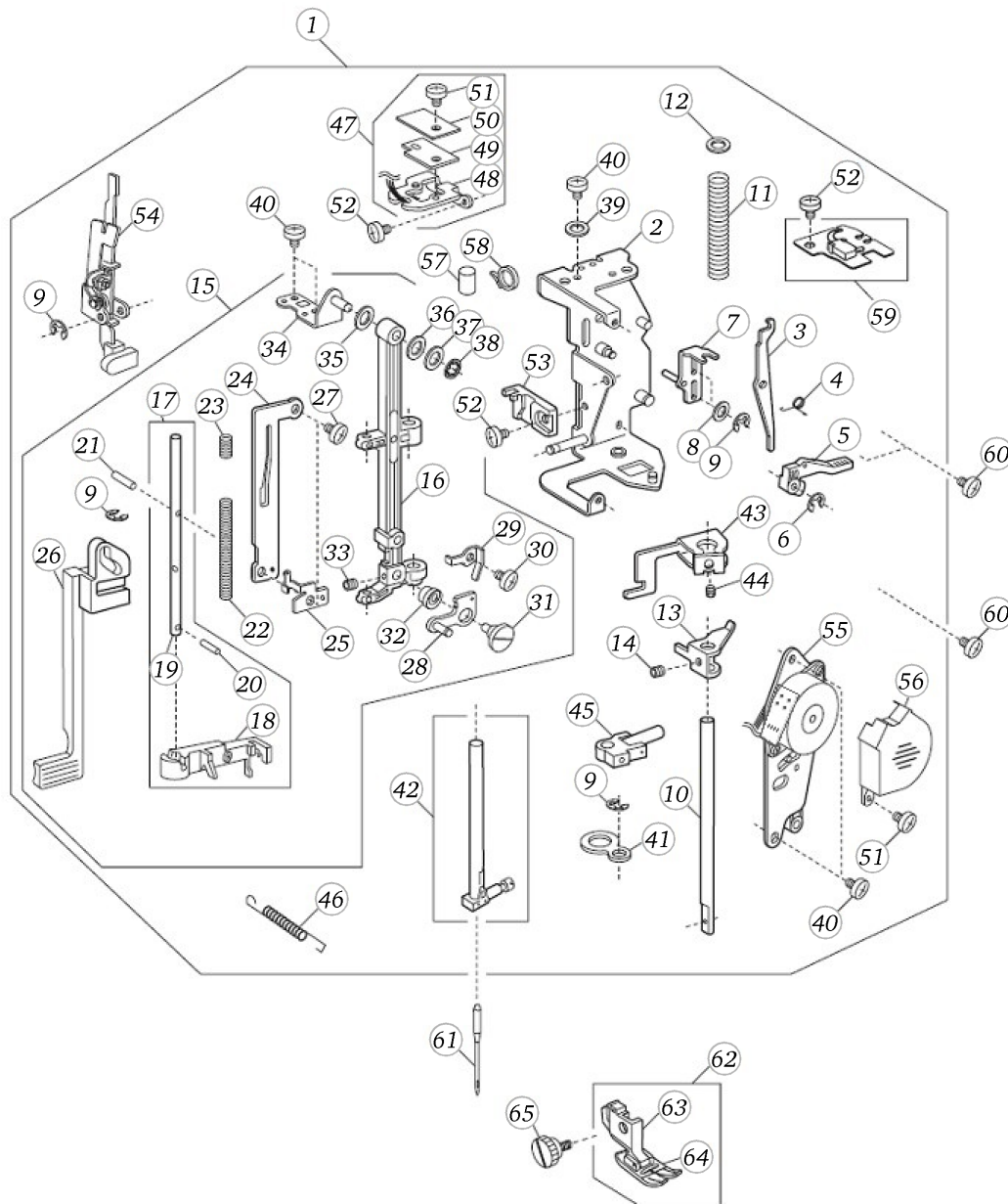
Pos	Item number	Description	Supplier Part no.
1	5020601240	UPPER SHAFT (UNIT)	808601005
2	5020600217	HEXAGON SOCKET SCREW 4x4	000111201
3	5020600931	HEXAGONAL SOCKET SCREW 4X6	000112800
4	5020600142	THRUST WASHER	000036201
5	5020601034	SHAFT FIXING METAL	508120006
6	5020601314	FELT	823110009
7	5020601028	SHAFT FIXING METAL	508054101
8	5020600255	RING	820166001
9	5020601179	UPPER SHAFT SHIELDING PLATE	808003001
10	000004200	KNOCK PIN 3x18	
11	5020601024	UPPER SHAFT GEAR	508021006
12	5020600139	SPRING PIN 3 X 30	000024206
13	5020600160	CLUTCH RING	502064003
14	5020600847	CLUTCH SPRING	661024007
15	5020601029	BELT WHEEL	508055009
16	5020600184	SNAP RING 6	000002806
17	5020600237	Felt	650040005
18	5020600146	SET SCREW 4 X 8	000081005
19	5020601283	HANDWHEEL	809100079
20	5020601256	THREAD TAKE-UP LEVER (UNIT)	808648107
21	5020600149	SETSCREW 4X10	000103509
22	5020600918	WASHER 4	000072302
23	5020601180	NEEDLE BAR CRANK ROD	808005003
24	5020600907	WASHER FT60	000036005
25	5020601257	THREAD TENSION (UNIT)	809653005
26	5020601238	THREAD TENSION	809535000
27	5020601242	SOLENOID (UNIT)	808604008
28	5020600147	SETSCREW 3 X 4	000101105
29	5020601194	SYNCRO BELT S5M	808037004
30	5020601191	TIMING BELT 120	808024108
30	5020601474	TIMING BELT	808021005

Needle bar and presser foot

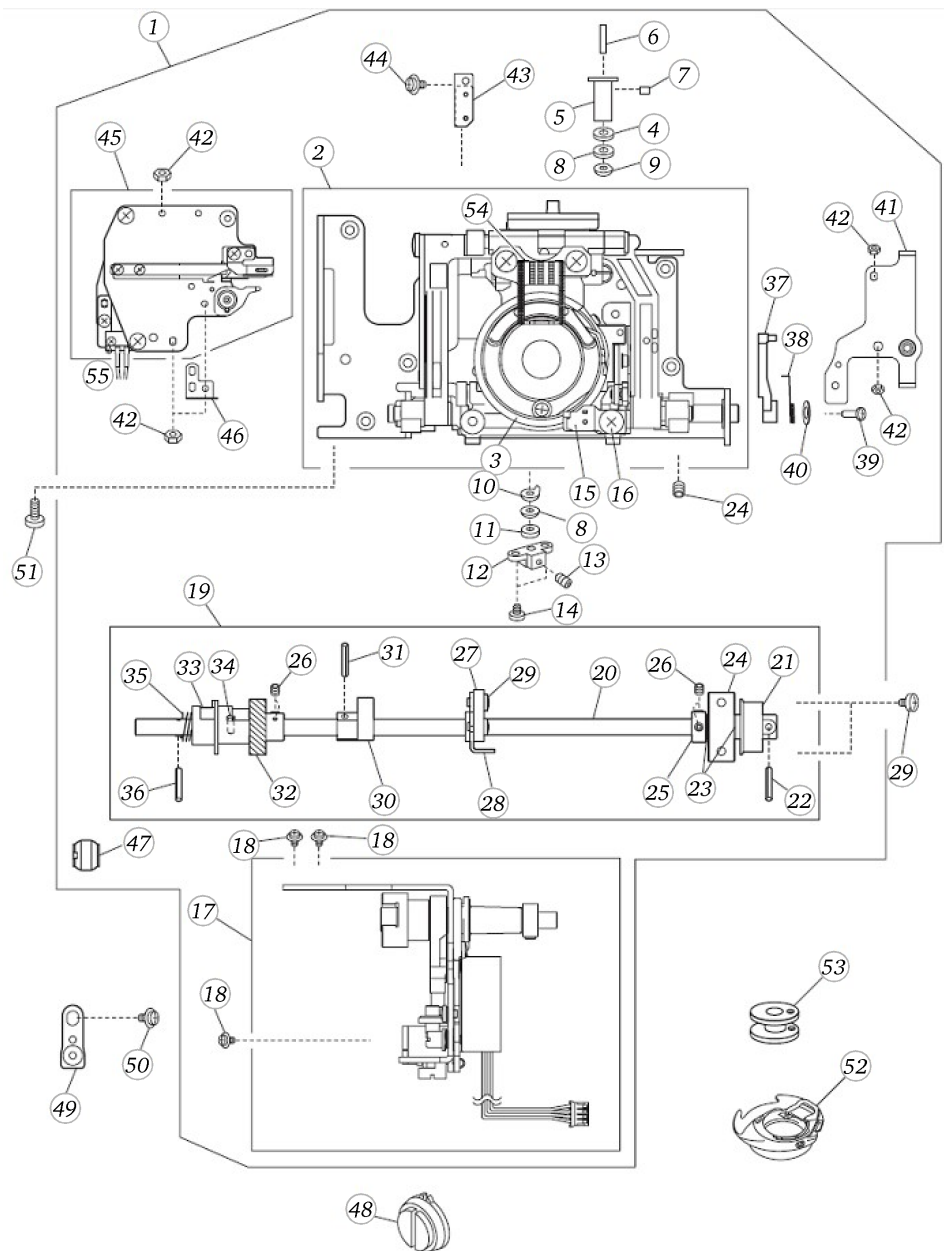


Pos	Item number	Description	Supplier Part no.
1	5020601255	PRESSER BAR BASE PLATE	808640604
2	5020601182	PRESSER BAR BASE PLATE	808006107
3	5020601183	THREAD TENSION RELEASE LEVER	808007005
4	5020601022	THREAD TENSION RELEASE SPRING	503041007
5	5020601020	PRESSER FOOT LIFTER	502024001
6	5020600192	SNAP RING 5	000002507
7	5020601204	PRESSER BAR SPRING ADJUST	808076005
8	5020600919	WASHER 4	000072508
9	000002105	SNAP RING E3	
10	5020601023	PRESSER BAR	508002104
11	5020601208	PRESSER BAR SPRING	808081003
12	5020600231	Plain washer	625102008
13	5020601026	PRESSER BAR SUPPORTER	508039007
14	5020600219	HEXAGON SOCKET SCREW 4x8	000111500
15	5020601241	NEEDLE BAR SUPPORTER (UNIT)	808603007
16	5020601184	NEEDLE BAR SUPPORTER	808008006
17	5020601332	THREADER SHAFT (UNIT)	842637006
18	5020601333	THREADER PLATE (UNIT)	842638007
19	5020601327	THREADER SHAFT	840036025
20	5020600193	SPRING PIN 2x8	000003508
21	000125105	PIN	
22	5020601328	THREADER SHAFT SPRING	842090001
23	5020601331	THREADER LEVER SPRING	842096007
24	5020601329	THREADER GUIDE PLATE	842091002
25	5020601336	THREADER LEVER PLATE	844036027
26	5020601330	THREADER LEVER	842092003
27	5020600145	SETSCREW 3 X 6	000078319
28	5020601189	ZIGZAG WIDTH ROD	808015006
29	5020601318	ZIGZAG WIDTH ROD SPRING	827088009
30	5020601311	SETSCREW 2X3	820373003
31	5020601077	ECCENTRIC PIN	678084007
32	5020601202	WASHER	808074003
33	5020600929	HEXAGONAL SOCKET SCREW 3X4	000111902
34	5020601186	SUPPORTER ADJUSTING PLATE	808009007

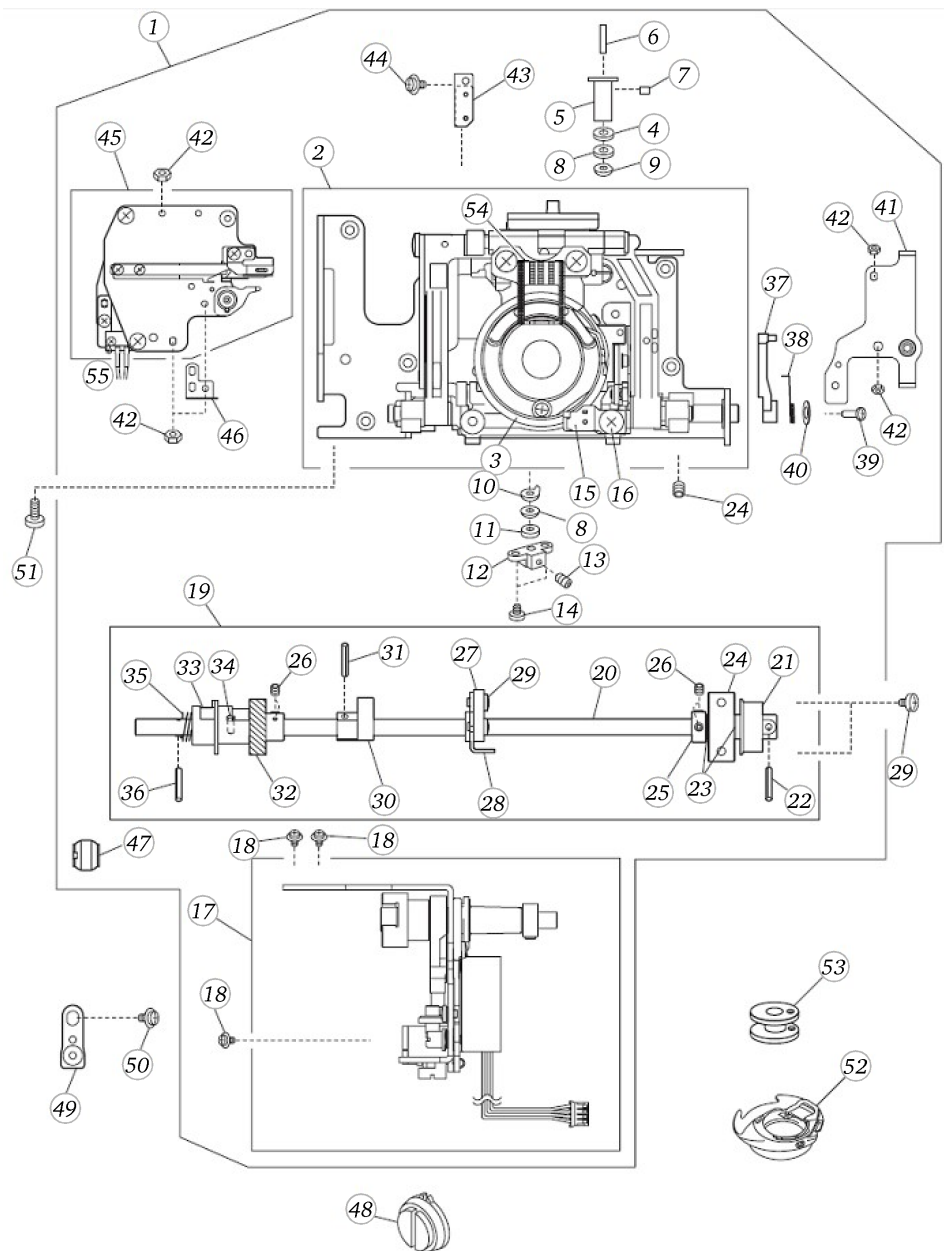
Needle bar and presser foot



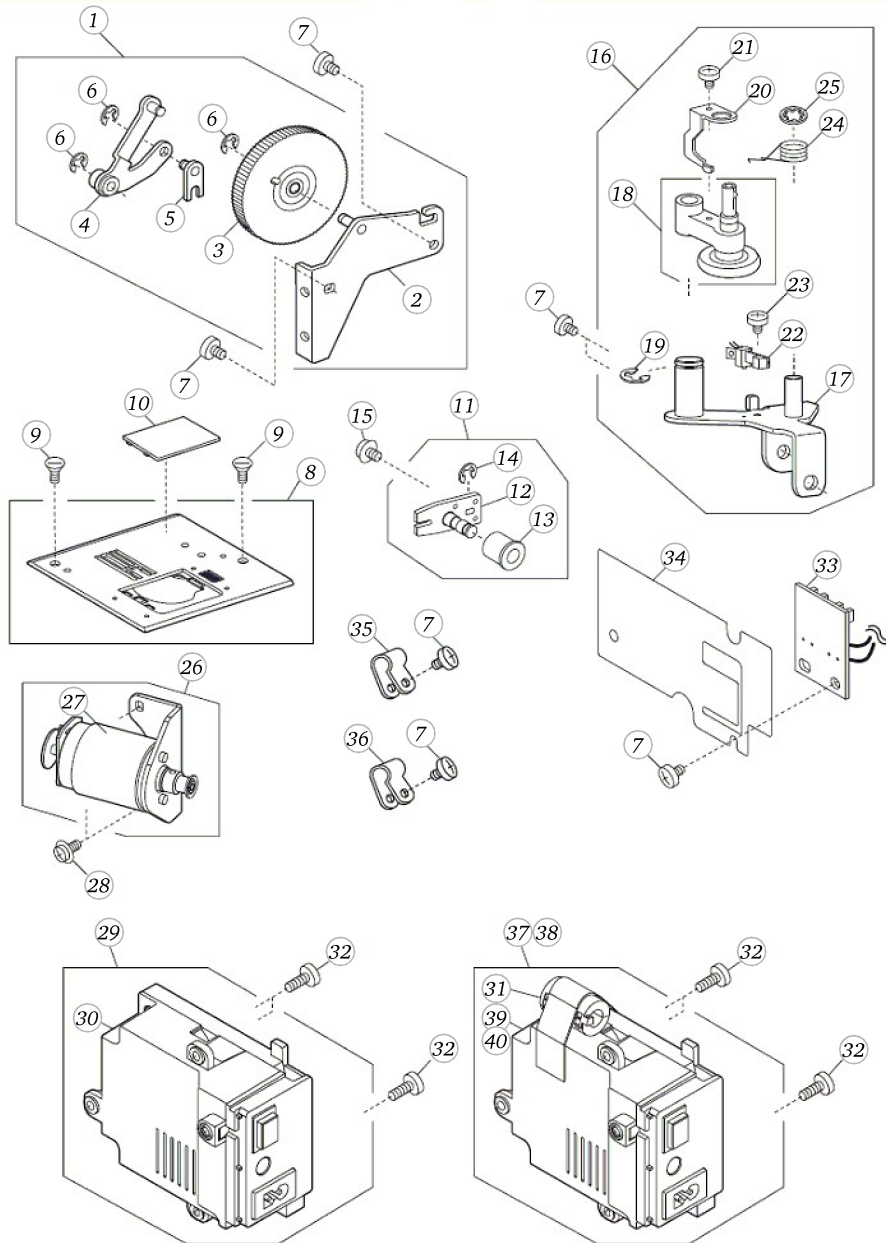
Pos	Item number	Description	Supplier Part no.
35	5020600908	WASHER FT60	000036500
36	5020601076	SPRING WASHER	673022002
37	5020600915	WASHER 6	000070609
38	5020600195	SNAP RING cs-5	000013903
39	5020600917	WASHER 5	000072003
40	5020600205	SET SCREW 4x6	000101404
41	5020601187	SUPPORTER GUIDE PLATE	808010001
42	5020601044	NEEDLE BAR (UNIT)	508607105
43	5020601188	THREADER POSITION SET PLATE	808011002
44	5020600947	HEXAGONAL SOCKET SCREW 4X4	000177205
45	5020601040	NEEDLE BAR CONNECTIN	508509003
46	5020601337	NEEDLE BAR SUPPORTER SPRING	844038018
47	5020601246	BUTTONHOLE SENSOR (UNIT)	808606103
48	5020601338	SENSOR SET PLATE	845002005
49	5020601334	PRINTED CIRCUIT BOARD E1 (UNIT)	843502602
50	5020601339	INSULATION PAPER	845029008
51	5020600147	SETSCREW 3 X 4	000101105
52	5020600213	SET SCREW 3x5	000103808
53	5020601322	BUTTONHOLE LEVER GUIDE	830057021
54	5020601335	BUTTONHOLE LEVER (UNIT)	843625004
55	5020601244	ZIGZAG WIDTH MOTOR (UNIT)	808605700
56	5020601274	MOTOR COVER	809019014
57	5020601279	TUBE	809046009
58	5020600200	Wire tie band	000053008
59	5020601247	PRESSER FOOT LIFT SWITCH (U	808611008
60	5020600146	SET SCREW 4 X 8	000081005
61	5020600955	NEEDLE	102408089
62	5020601072	PRESSER FOOT (UNIT)	660509008
63	5020601074	PRESSER FOOT HOLDER	660806008
63	5020601496	Presser foot holder	660806019
64	5020601409	Zigzag foot packed	202333007
65	5020601062	SETSCREW	647112009



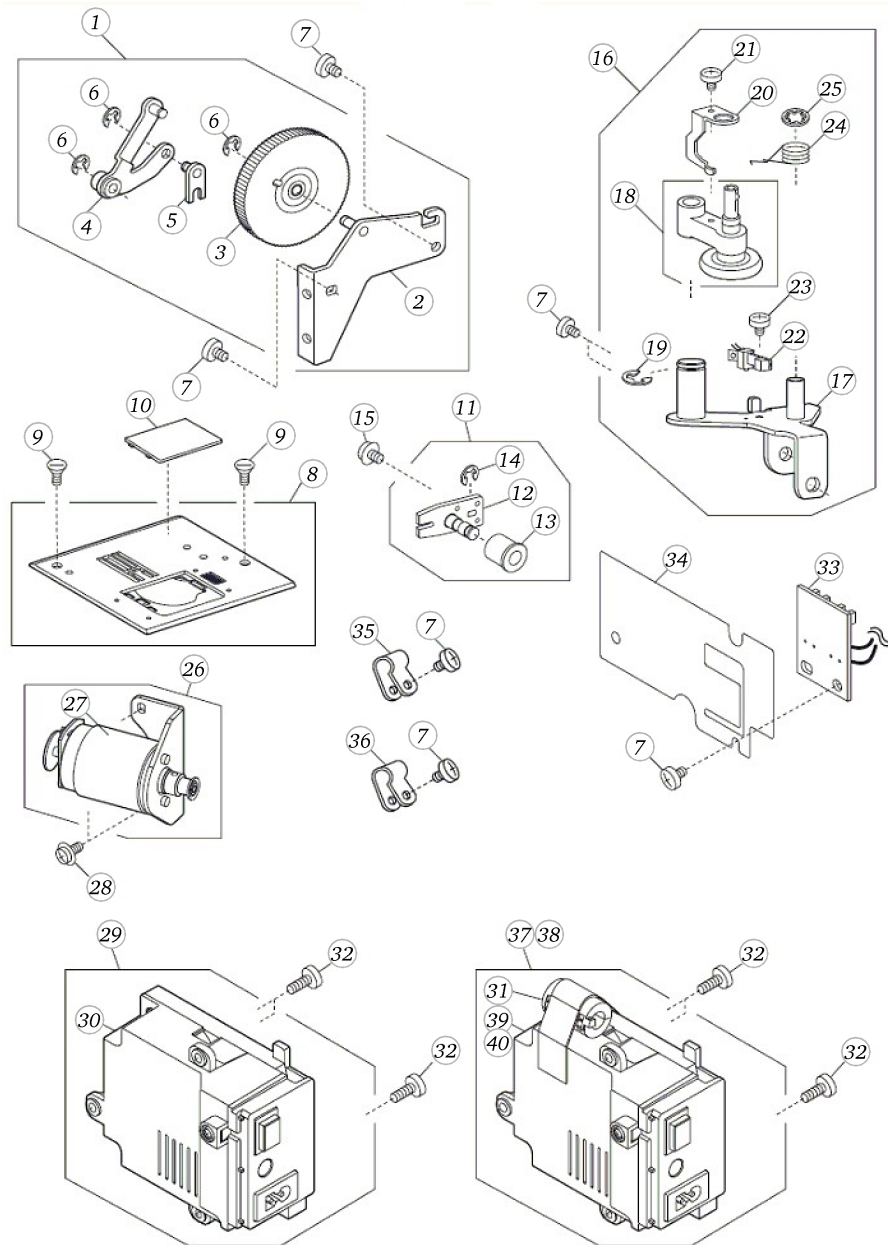
Pos	Item number	Description	Supplier Part no.
1	5020601299	HOOK RACE (WHOLE UNIT)	809620047
2	5020601300	HOOK RACE (UNIT)	809621303
3	5020601073	HOOK BODY (UNIT)	660536004
4	5020601033	WASHER	508118001
5	5020600252	HOOK DRIVER SHAFT	820123006
6	5020600253	OIL WICK (1)	820124007
7	5020600254	HOOK SHAFT OIL FELT 2	820125008
8	5020600271	WASHER	000038409
9	5020601037	MAGNET SET PLATE	508139008
10	5020600234	Hook shaft washer (1)	627192001
11	5020600231	Plain washer	625102008
12	5020601030	HOOK RACE SHAFT BASE	508072002
13	5020600218	HEXAGON SOCKET SCREW 5x5	000111304
14	5020600212	Set screw 4x5	000103705
15	5020601050	BOBBIN HOLDER STOPPER (UNIT)	627567104
16	5020600205	SET SCREW 4x6	000101404
17	5020601297	FEED REGULATOR (UNIT)	809607200
18	5020600153	SETSCREW 4 X 6	000115205
19	5020601296	LOWER SHAFT (UNIT)	809602009
20	5020601193	LOWER SHAFT	808027207
21	5020601024	UPPER SHAFT GEAR	508021006
22	000004200	KNOCK PIN 3x18	
23	5020600272	WASHER 8x0.5	000038502
24	5020601027	SHAFT FIXING METAL	508054008
25	5020600255	RING	820166001
26	5020600217	HEXAGON SOCKET SCREW 4x4	000111201
27	5020601272	LOWER SHAFT SUPPORTER	809017001
28	5020601271	LOWER SHAFT SUPPORTER PLATE	809016000
29	5020600146	SET SCREW 4 X 8	000081005
30	5020601269	FEED CAM	809014008
31	5020600899	SPRING PIN 3X12	000005407
32	5020601214	LOWER SHAFT GEAR	808137005
33	5020601340	FEED LIFTING CAM	846103000
34	5020601309	FEED LIFTING PIN	820161006



Pos	Item number	Description	Supplier Part no.
35	5020601203	FEED LIFTING CAM SPRING	808075004
36	5020600904	SPRING PIN 2X12	000022802
37	5020601268	FEED FORK	809013007
38	5020601270	FEED FORK SPRING	809015009
39	5020601310	PIN	820172000
40	5020600916	PLAIN WASHER 5	000071105
41	5020601282	NEEDLE PLATE SET PLATE	809064003
42	5020600913	NUT 3-2-5.5	000063104
43	5020601316	FEED BASE PLATE (UNIT)	825515004
44	5020601315	SETSCREW	825237009
45	5020601431	Thread Cutter unit	809623305
46	5020601211	SLIDE POSITION ADJUSTING PLAT	808105107
47	5020601088	LOWER SHAFT BUSHING (REAR)	732034003
48	5020601281	FEEDBALANCING DIAL 2	809053010
49	5020601278	LOWER SHAFT BUSHING SET PLATE	809042005
50	5020600154	SETSCREW TP 4 X 8	000115607
51	5020600207	SET SCREW 4x12	000101703
52	5020601344	BOBBIN HOLDER (UNIT)	858570009
53	5020600026	BOBBIN	102261103
54	5020601427	FEED DOG	809149003
55	5020601452	Micro switch	844515209

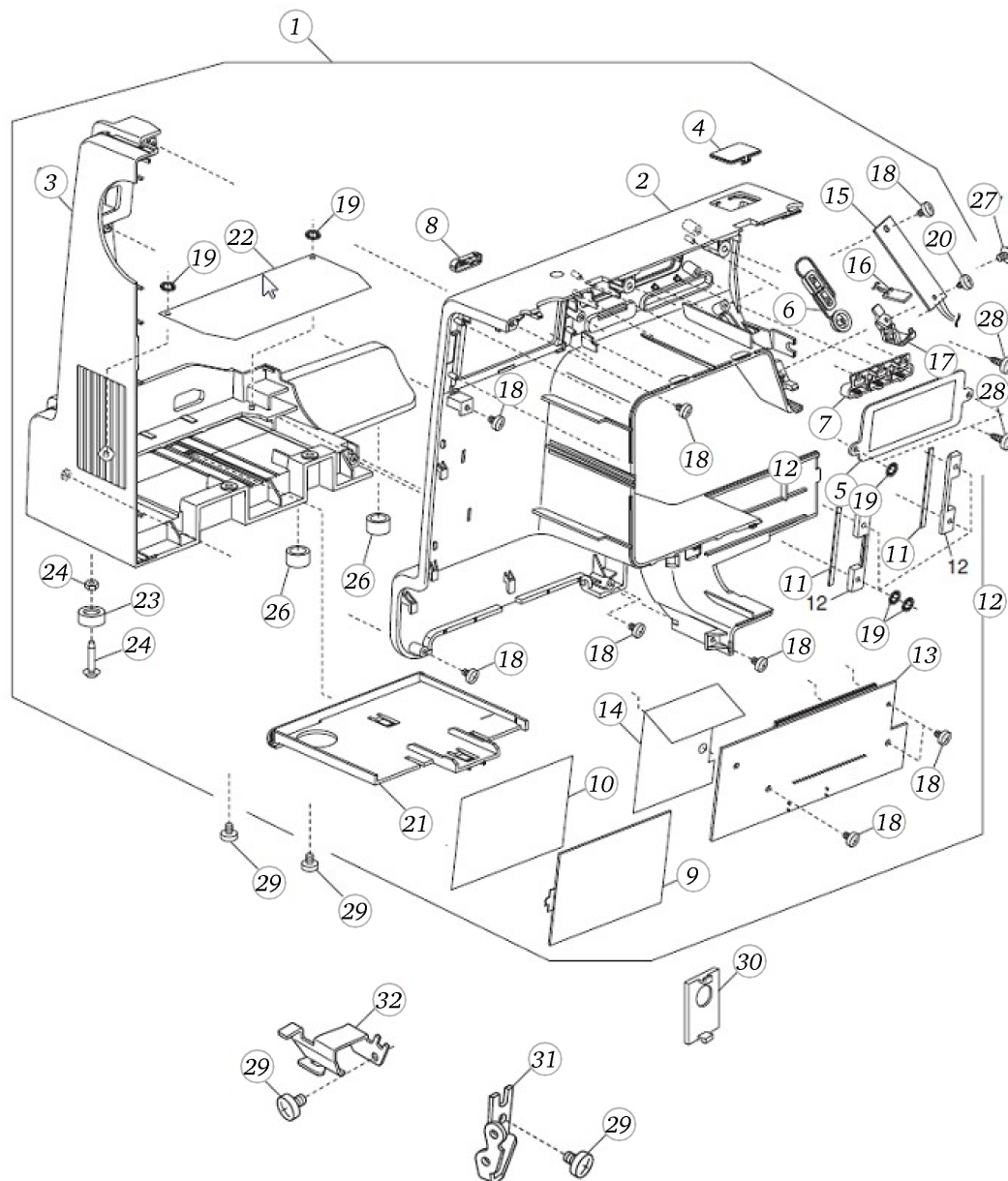


Pos	Item number	Description	Supplier Part no.
1	5020601298	PRESSER FOOT PRESSURE ADJ	809608108
2	5020601273	PRESSER FOOT PRESSUR	809018002
3	5020601205	PRESSER FOOT PRESSURE D	808078A01
4	5020601206	ADJUSTING ARM 1	808079008
5	5020601207	ADJUSTING ARM 2	808080002
6	000002105	SNAP RING E3	
7	5020600146	SET SCREW 4 X 8	000081005
8	5020601295	NEEDLE PLATE (UNIT)	809511000
9	5020601078	SETSCREW	681009101
10	5020600507	HOOK COVER PLATE	846271103
11	5020601248	IDLER (UNIT)	808614001
12	5020601195	IDLER SET PLATE	808038005
13	5020600232	Idler	625217100
14	5020600184	SNAP RING 6	000002806
15	5020600154	SETSCREW TP 4 X 8	000115607
16	5020601249	BOBBIN WINDER (UNIT)	808615002
17	5020601196	BOBBIN WINDER SET PLATE	808039006
18	5020601039	BOBBIN WINDER ARM (UNIT)	508507001
19	5020600192	SNAP RING 5	000002507
20	5020601031	CLUTCH LEVER	508111004
21	5020600155	SETSCREW 3 X 8	000120203
22	5020601342	SWITCH (UNIT)	856512100
23	5020600921	SETSCREW 2.5X5	000081706
24	5020601198	SPRING	808040000
25	5020600195	SNAP RING cs-5	000013903
26	5020601250	DC MOTOR (UNIT)	808617004
27	5020601233	DC MOTOR (UNIT)	808502005
28	5020600934	SETSCREW TP 4X10	000115700
29	5020601258	SWITCHING REGULATOR (UNIT) 110-120V	808657202
30	5020601237	SWITCHING REGULATOR 110-120V (Covers)	808525303
31	808123008	FERRITE CORE	
32	5020600149	SETSCREW 4X10	000103509
33	5020601234	PRINTED CIRCUIT BOARD P (UNIT)	808504007
34	5020601210	CORD GUIDE	808093101

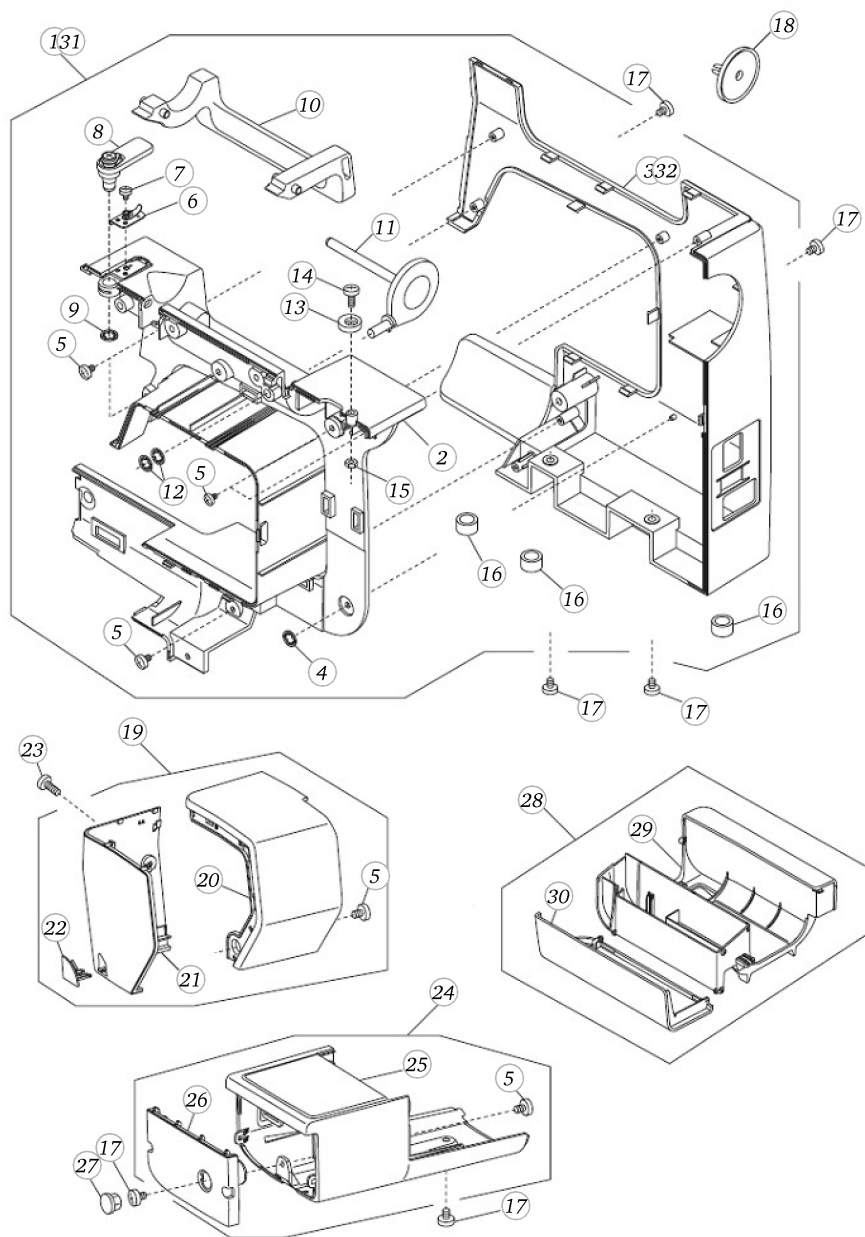


Pos	Item number	Description	Supplier Part no.
35	5020600948	NYLON CLIP ACC-1.5	000188209
36	000188405	NYLON CLIP ACC-2	
37	5020601393	SWITCH REGULATOR (UNIT) 220-240V	808668000
37	5020601478	SWITCHING REGULATOR (UNIT) 220-240V	808668402
38	5020601394	SWITCH REGULATOR (UNIT) 240 C-TIC	808668103
39	5020601395	SWITCH REGULATOR 220-240V (Covers)	808545000
40	5020601396	SWITCH REGULATOR 240V C-TIC (Covers)	808545103

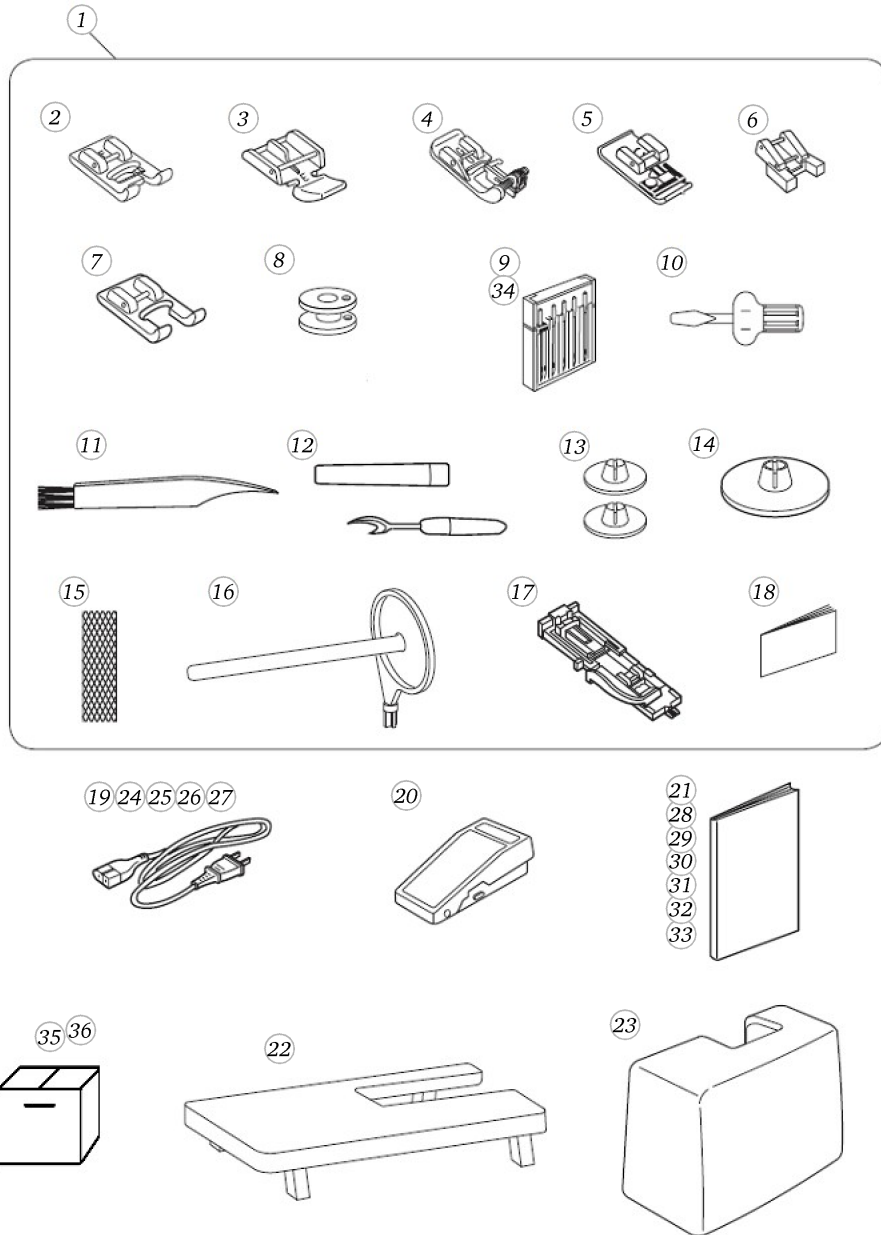
Front cover



Pos	Item number	Description	Supplier Part no.
1	5020601302	FRONT COVER (UNIT)	809654006
2	5020601286	FRONT COVER 1	809176A01
3	5020601216	FRONT COVER 2	808154008
4	5020601285	FRONT COVER LID	809119107
5	5020601287	LCD PANEL	809177000
6	5020601288	BUTTON 1	809178A01
7	5020601289	BUTTON 2	809179A01
8	5020601230	SLIDE VOLUME	808169A01
9	5020601293	TOUCH PANEL (UNIT)	809501007
10	5020601292	TOUCH PANEL SEAT	809037A02
11	5020601291	TOUCH PANEL BASE PLATE	809181007
12	5020601290	TOUCH PANEL SET PLATE	809180006
13	5020601403	PCB A (UNIT)	809534009
13	5020601491	PCB A (UNIT)	809405000
14	5020601280	FLAME RETARDANT INSULATING PA	809048001
15	5020601294	PRINTED CIRCUIT BOARD F (UNIT)	809502008
16	5020601343	PRINTED CIRCUIT BOARD L2 (UNIT)	858511105
16	5020601453	Printed circuit board L2	858511116
17	5020601212	LAMP HOLDER 2	808118000
18	5020600155	SETSCREW 3 X 8	000120203
19	5020600196	SNAP RING cs-3	000014306
20	5020600944	SETSCREW 3X10 (B)	000161206
21	5020601231	QUICK CHART DRAWER	808171001
22	5020601232	DUST COVER SHEET	808173003
23	5020601052	RUBBER FOOT	639005003
24	5020600950	SETSCREW 4X20	000201405
26	5020601138	BED RUBBER CUSHION	739064003
27	5020600153	SETSCREW 4 X 6	000115205
28	5020600943	SETSCREW 4X16 (B)	000160401
29	5020600146	SET SCREW 4 X 8	000081005
30	5020601276	CAP	809039205
31	5020601055	FRONT COVER SET PLATE	639080002
32	5020601190	ARM THREAD GUIDE	808016007



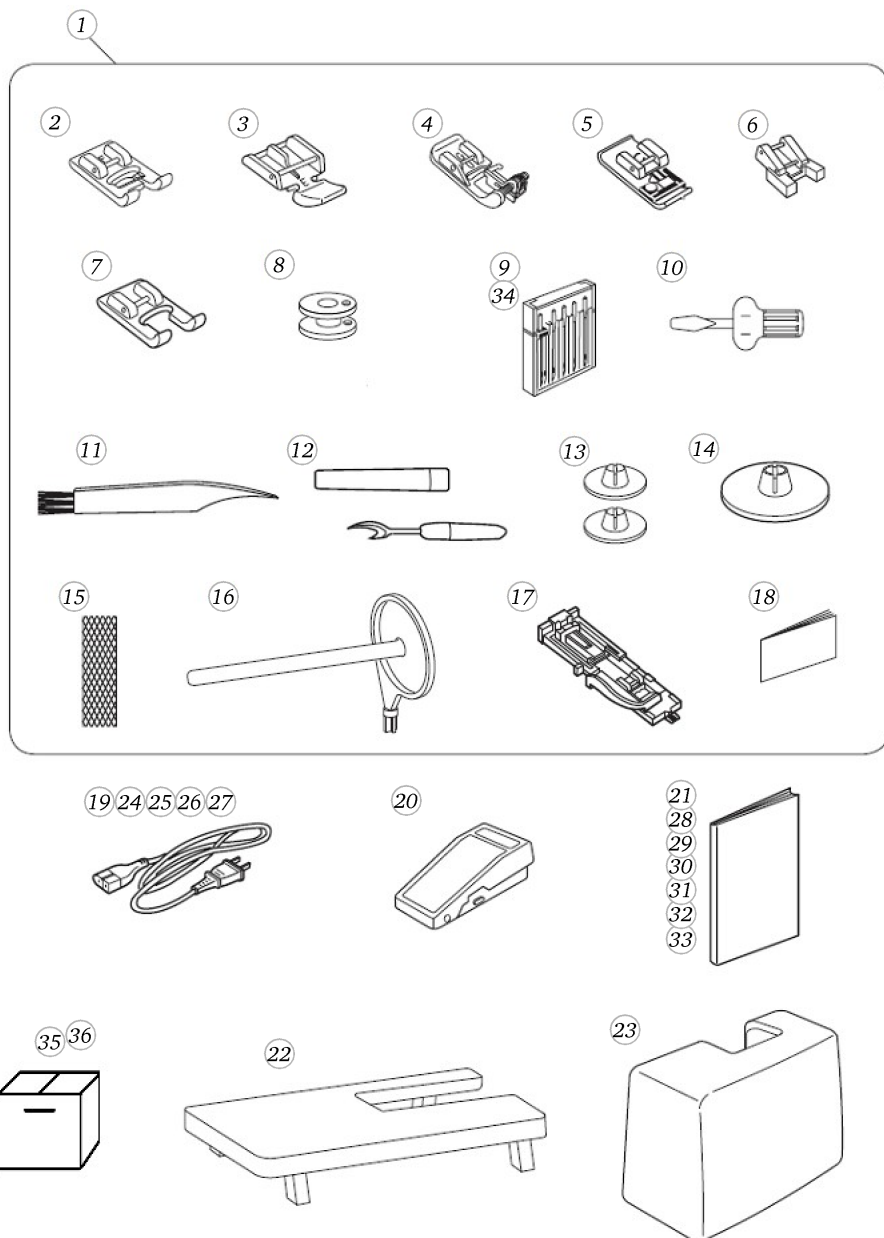
Pos	Item number	Description	Supplier Part no.
1	5020601397	REAR COVER (UNIT) 110-120V	808665203
2	5020601399	REAR COVER 1	808155B01
3	5020601218	REAR COVER 2	808156000
4	5020600196	SNAP RING cs-3	000014306
5	5020600155	SETSCREW 3 X 8	000120203
6	5020601320	TOP COVER THREAD GUIDE (U	827503108
7	5020600227	Set screw 2.6x5b	000162001
8	5020601259	THREAD GUIDE (UNIT)	808662004
9	5020600902	SNAP RING CS-8	000014409
10	5020601226	CARRYING HANDLE	808165002
11	5020601275	SPOOL PIN	809027107
12	5020600900	SNAP RING CS-6	000013800
13	5020601093	BOBBIN WINDER STOPPER	735016400
14	5020600208	Set screw 4x16	000101828
15	5020600143	NUT	000061205
16	5020601138	BED RUBBER CUSHION	739064003
17	5020600146	SET SCREW 4 X 8	000081005
18	5020600028	LARGE SPOOL HOLDER	822020606
19	5020601264	FACE PLATE (UNIT)	808666101
20	5020601222	FACE PLATE 1	808160B01
21	5020601223	FACE PLATE 2	808161A01
22	5020601341	THREAD CUTTER (UNIT)	854501100
23	5020600150	SETSCREW 4 X 20	000104108
24	5020601261	FREE ARM COVER (UNIT)	808664006
25	5020601224	FREE ARM COVER 1	808162009
26	5020601225	FREE ARM COVER 2	808163000
27	5020601167	CAP	745033068
28	5020601265	EXTENSION TABLE (UNIT)	808667009
28	5020601477	EXTENSION TABLE UNIT	808548003
29	5020601219	EXTENSION TABLE 1	808157001
30	5020601220	EXTENSION TABLE LID	808159A01
31	5020601398	REAR COVER (UNIT) 220-240V	808665306
32	5020601400	REAR COVER 2 220-240V	808156011



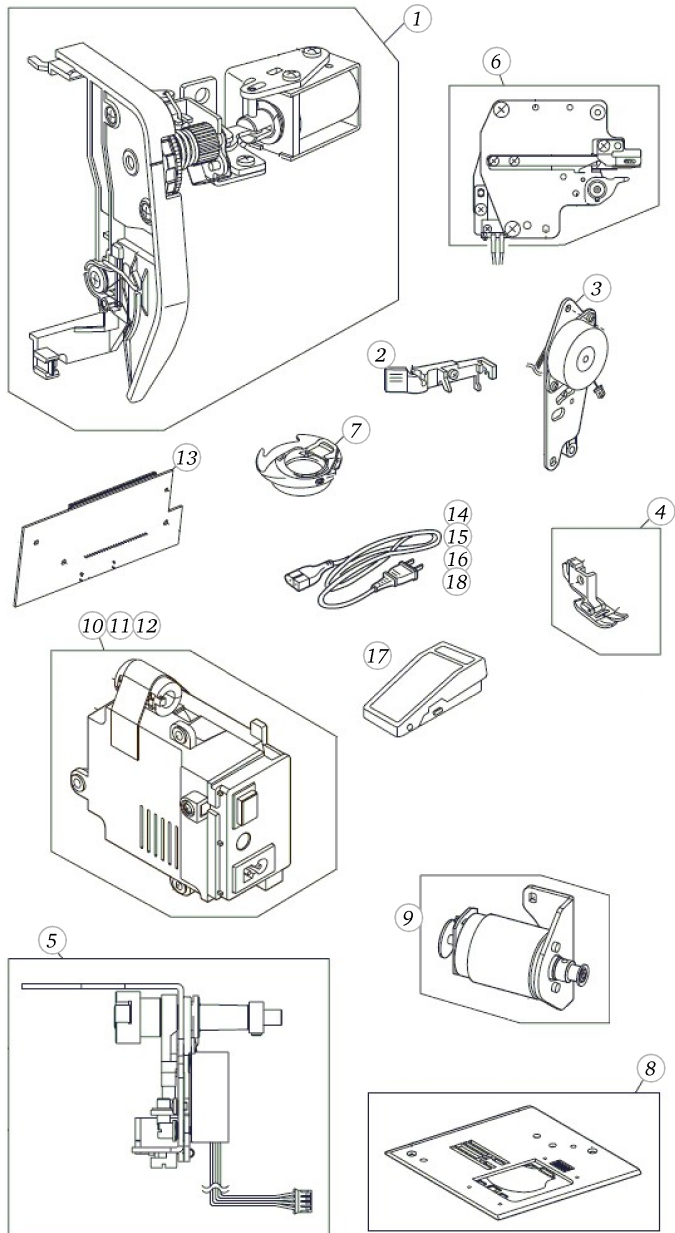
Pos	Item number	Description	Supplier Part no.
1	5020601304	STANDARD ACCESSORIES	809870321
2	5020601378	Embroidery foot w	202365008
3	5020601361	Zipper foot packed	202348005
4	5020601365	Blindstitch foot packed	202352002
5	5020601359	Overlock foot packed	202346003
6	5020601357	Button-sew-on foot packed	202344001
7	5020601373	Open embroidery foot packed	202360003
8	5020600026	BOBBIN	102261103
9	0027217000	NEEDLE ASSORTMENT 5 NEEDLES	
10	5020600173	SCREWDRIVER (LARGE)	820832005
11	5020600170	LINT BRUSH	802424004
12	5020601065	SEAM RIPPER (BUTTONHOLE OPENER)	647808009
13	5020600066	SPOOL PIN HOLDER SMALL	822019602
14	5020600028	LARGE SPOOL HOLDER	822020606
15	5020600543	NET	624806006
16	5020601277	SPOOL PIN	809041107
17	5020601355	Buttonhole foot with slide p	202342009
18	5020600881	Stitchchart b38	809845006
19	5020600889	Kabel b37/b38 US	856519004
20	5020600890	Fussanlasser b37/b38	C-1036
21	5060008.0.04	INSTRUCTION MANUAL b38 (ENGLISH)	
22	5020601388	Extension table b37/b38	809404009
23	5020601405	HARD COVER	404701507
24	5020600461	POWER SUPPLY CORD (CE 220-240V)	830335004
25	5020600265	POWER CORD NZ (C-tic 240V)	830314018
26	5020600897	Kabel b37/b38 GB	830377008
27	5020600898	Kabel b37/b38 JP	806513003
28	5060008.0.01	INSTRUCTION MANUAL b38 (GERMAN)	
29	5060008.0.05	INSTRUCTION MANUAL b38 (DUTCH)	
30	5060008.0.03	INSTRUCTION MANUAL b38 (ITALIAN)	
31	5060008.0.02	INSTRUCTION MANUAL b38 (FRENCH)	
32	5060008.0.18	INSTRUCTION MANUAL b38 (RUSSIAN)	
33	5060008.0.11	INSTRUCTION MANUAL b38 (SPANISH)	
34	820827007	NEEDLE SET (ORGAN)	

b38

Accessories



Pos	Item number	Description	Supplier Part no.
35	5020600885	Color carton b38	809880863
36	5020601440	Styrofoam b37/b38	809889552



Recommended Spare Parts

Pos	Item number	Description	Supplier Part no.
1	5020601257	THREAD TENSION (UNIT)	809653005
2	5020601333	THREADER PLATE (UNIT)	842638007
3	5020601244	ZIGZAG WIDTH MOTOR (UNIT)	808605700
4	5020601072	PRESSER FOOT (UNIT)	660509008
5	5020601297	FEED REGULATOR (UNIT)	809607200
6	5020601431	Thread Cutter unit	809623305
7	5020601344	BOBBIN HOLDER (UNIT)	858570009
8	5020601295	NEEDLE PLATE (UNIT)	809511000
9	5020601250	DC MOTOR (UNIT)	808617004
10	5020601258	SWITCHING REGULATOR (UNIT) 110-120V	808657202
11	5020601393	SWITCH REGULATOR (UNIT) 220-240V	808668000
12	5020601478	SWITCHING REGULATOR (UNIT) 220-240V	808668402
13	5020601394	SWITCH REGULATOR (UNIT) 240 C-TIC	808668103
14	5020604403	PCB-A (UNIT)	809534009
15	5020601491	PCB A (UNIT)	809405000
16	5020600889	Kabel b37/b38 US	856519004
17	5020600461	POWER SUPPLY CORD (CE 220-240V)	830335004
18	5020600265	POWER CORD NZ (C-tic 240V)	830314018
	5020600890	Fussanlasser b37/b38	C-1036
	5020601471	POWER SUPPLY CORD India b37/38	864100003